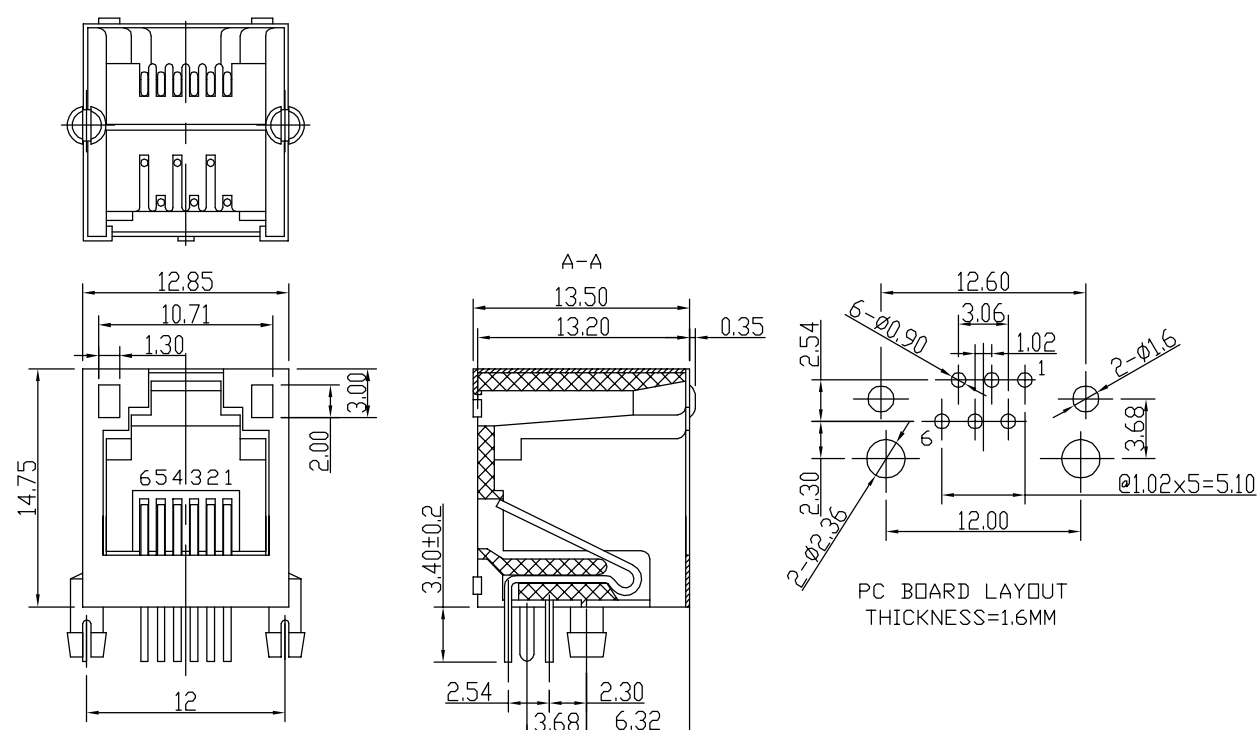


1 2 3 4

A

A



电气特性:
 1. 额定电压: 125 VAC RMS
 2. 额定电流: 1.5 AMP
 3. 接触电阻: 35 m MAX.
 4. 绝缘电阻: 1000 M MIN. @500 VDC
 5. 耐压强度: 1000 VAC RMS 60Hz, 1分钟

机构特性:
 1. 塑壳材质: PBT, UL94V-0;
 2. 圆针材质: 磷青铜, ∅0.46mm;
 3. 圆针电镀: 镍底, 表面全部镀金;
 4. 铁壳材质: 黄铜, 厚度0.20mm, 镀镍;
 5. 可靠性: 最少750次插拔.
环境特性:
 1. 储存温度: -40° C~+85° C
 2. 工作温度: -40° C~+85° C

NOTES:

ELECTRICAL:

- 1. VOLTAGE RATING : 125 VAC RMS.
- 2. CURRENT RATING : 1.5 AMP.
- 3. CONTACT RESISTANCE : 35 MILLIOHMS MAX.
- 4. INSULATION RESISTANCE : 1000 MEGOHMS MIN @ 500 VD
- 5. DIELECTRIC STRENGTH : 1000 VAC RMS 60Hz, 1MIN.

MECHANICAL:

- 1. HOUSING MATERIAL : PBT/PA46/PA66 UL94V-0.
- 2. CONTACT MATERIAL : PHOSPHOR BRONZE ∅0.46mm.
- 3. PLATING : GOLD PLATING OVER NICKEL
- 4. MATING/UNMATING FORCE : 22N/2.27kg Max.,
- 5. RETENTION STRENGTH : 57.83N Min.,
- 6. OPERATING LIFE : 750 CYCLES MIN.

ENVIRONMENTAL:

- 1. STORAGE : 40°C~+85°C RELATIVE HUMIDITY<80%
 - 2. OPERATION: -40°C~+85°C
- MATES WITH MODULAR PLUG CONFORMING TO
 FCC PART 68, SUBPART F
 POHS PART NUMBER

RoHS Compliant

		A4 SCALE 比例 1:1 UNIT 单位 mm		CUSTOMER: N/A MODEL NO: N/A		TOLERANCES 公差 .0 ± 0.25 .00 ± 0.20 .000 ± 0.10 ANGLES ± 0.5		Material: 材质 SEE NOTE Finish: 电 镀 SEE NOTE		Designed: 设计 Checked: 审核 Approved: 核准		NAME: 名称 RJ11 5521-S-6P JACK DWG NO: 图号 PART NO: 料号 SEE NOTE		REV. 版本 08
				SHEET 第 1 页 OF 共 1 页		Approved: 核准		PART NO: 料号 SEE NOTE		REV. 版本 08				

C

C

D

D

1 2 3 4